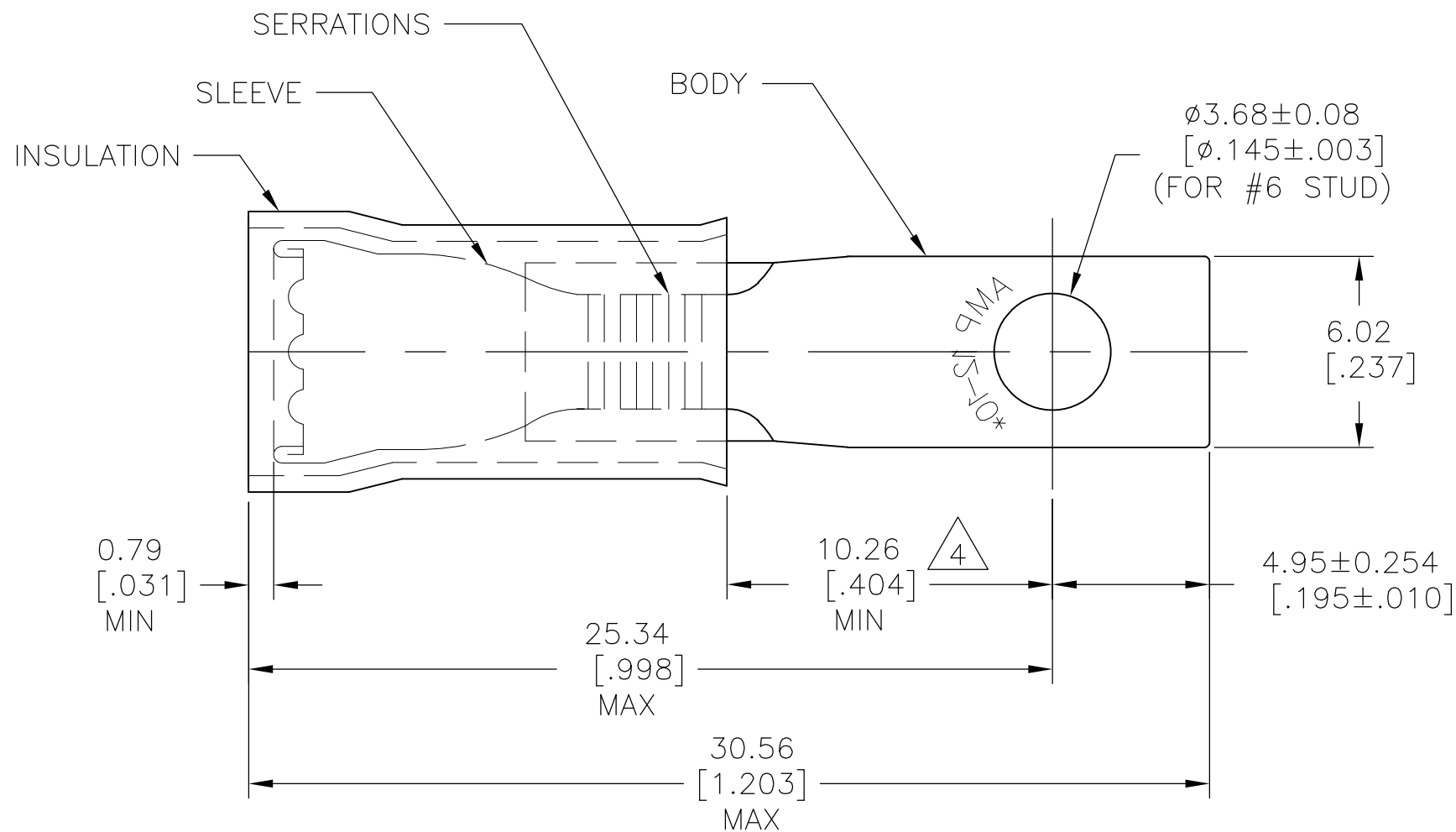


THIS DRAWING IS UNPUBLISHED. RELEASED FOR PUBLICATION
 © COPYRIGHT - By - ALL RIGHTS RESERVED.

LOC	DIST	REVISIONS					
G	14	P	LTR	DESCRIPTION	DATE	DWN	APVD
			K3	REVISED PER ECO-11-004917	11MAR11	RK	HMR



- 1 TONGUE MATERIAL THK: 1.02 ± 0.05 [.040 \pm .002]
- 2 FOR 3.81 [.150] TO 5.84 [.230] WIRE INSULATION DIA
- 3 SUPERSEDED BY 2-327960-1
- 4 APPLIES FROM THE METAL EDGE OF THE BARREL TO THE CENTER OF THE STUD
- 5 MEETS MS17143-15, CLASS 1 & 2
- 6 MEETS MS17143-15, CLASS 2

QTY	DESCRIPTION	MATERIAL & FINISH	PART NO
1	ON TAPE	BODY & SLEEVE: COPPER (ASTM-B152) TIN PL (ASTM-B545)	6 2-327960-2
OBSOLETE 1	2-327960-1 ON TAPE	INSULATION: NYLON (ASTM-D4066) TYPE 1 COLOR: YELLOW	2-327960-3
1	WIRE TERMINAL		5 2-327960-1
1	WIRE TERMINAL	BODY: COPPER (ASTM-B152) TIN PL (ASTM-B545) SLEEVE: COPPER (ASTM-B152) INSULATION: PVC COLOR: YELLOW	3 327960

THIS DRAWING IS A CONTROLLED DOCUMENT.		DWN RAGHAVENDRA 01SEP09	STE TE Connectivity	
DIMENSIONS: mm [INCHES]		CHK JEFF RUTH 01SEP09		
TOLERANCES UNLESS OTHERWISE SPECIFIED:		APVD TOM MICHIELUTTI 01SEP09	NAME	
0 PLC ± - 1 PLC ± - 2 PLC ± - 3 PLC ± 0.20 [.008] 4 PLC ± - ANGLES ± 5°		PRODUCT SPEC	WIRE TERMINAL PIDG - RECTANGULAR TONGUE WIRE SIZE: 12-10	
MATERIAL SEE TABLE		FINISH SEE TABLE	APPLICATION SPEC	RESTRICTED TO
		WEIGHT -	SIZE A3	CAGE CODE 00779
		CUSTOMER DRAWING	DRAWING NO C-327960	RESTRICTED TO -
		SCALE 5:1	SHEET 1 OF 1	REV K3