

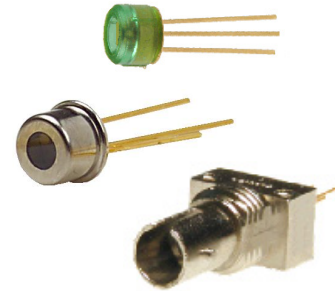
# Fiber Optic Receiver

## OPF500 Series



### Features:

- Interfaces with all logic circuits
- Two output options
- Optimized for fiber optic applications using 50 to 200 micron fibers
- Data rate to 200kbps NRZ
- Available with multiple packaging options



### Description:

The OPF500 series receiver contains a monolithic integrated circuit which incorporates a photodiode, linear amplifier, a voltage regulator, and a Schmitt trigger on a single silicon chip. These receivers are designed for short haul fiber optic systems using 850 nm LEDs such as Optek's OPF300 series.

These devices feature TTL/LSTTL compatible logic level output. An internal voltage regulator allows operation with supply voltages ranging from 4.5V to 16V.

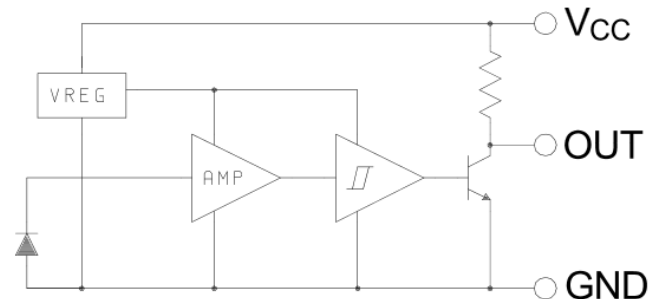
### Applications:

- Industrial Ethernet equipment
- Copper-to-fiber media conversion
- Intra-system fiber optic links
- Video surveillance systems

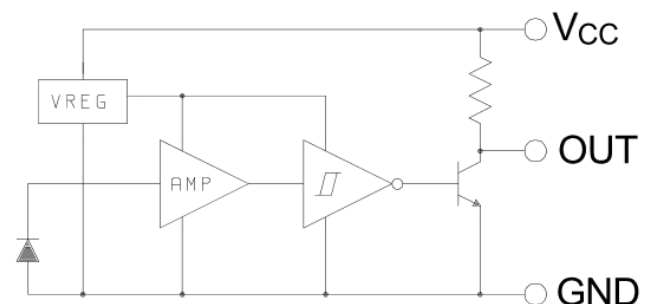
### Part Ordering Information

Part Number	Description
OPF500	Buffer, 10kW Pull-Up Plastic Cap Component
OPF505	Buffer, 10kW Pull-Up Metal Can Component
OPF507	Buffer, 10kW Pull-Up Metal ST Receptacle
OPF510	Inverter, 10kW Pull-Up Plastic Cap Component
OPF512	Inverter, 10kW Pull-Up Metal ST Receptacle

### Buffer/10K PU



### Inverter/10K PU



RoHS



This component is susceptible to damage from electrostatic discharge (ESD). Normal static precautions should be taken in handling and assembly of this component to prevent ESD damage or degradation.

General Note  
TT Electronics reserves the right to make changes in product specification without notice or liability. All information is subject to TT Electronics' own data and is considered accurate at time of going to print.

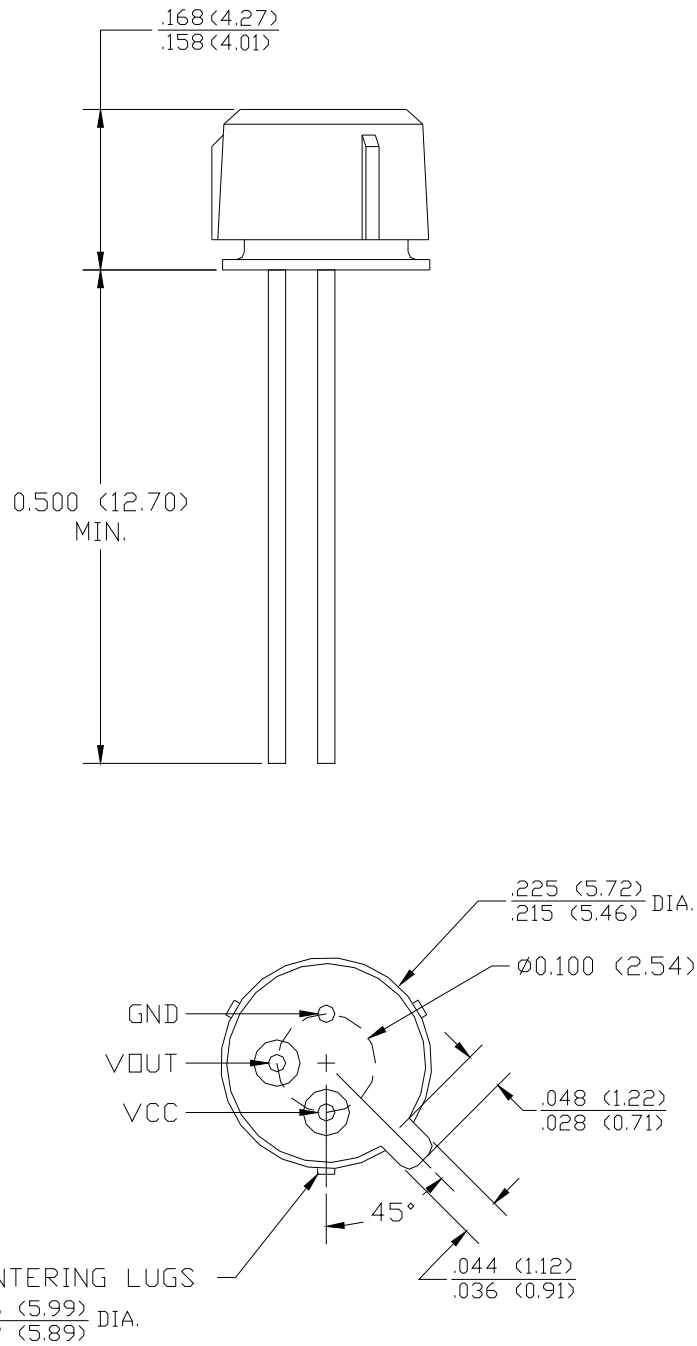
OPTEK Technology, Inc.  
1645 Wallace Drive, Carrollton, TX 75006 | Ph: +1 972 323 2200  
www.optekinc.com | www.ttelectronics.com

# Fiber Optic Receiver

OPF500 Series



## Mechanical Outline—OPF500, OPF510



General Note  
TT Electronics reserves the right to make changes in product specification without notice or liability. All information is subject to TT Electronics' own data and is considered accurate at time of going to print.

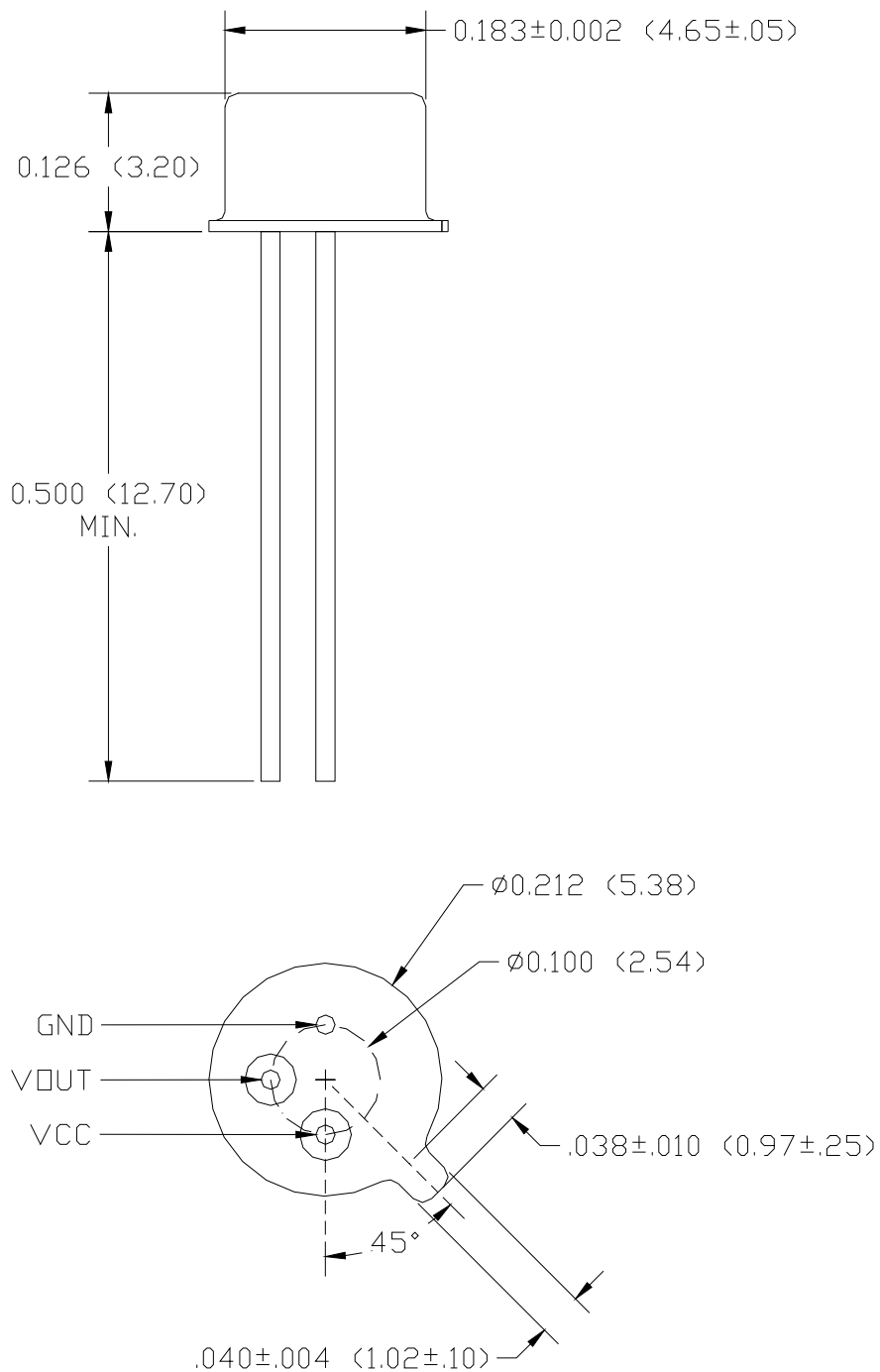
OPTEK Technology, Inc.  
1645 Wallace Drive, Carrollton, TX 75006 | Ph: +1 972 323 2200  
www.optekinc.com | www.ttelectronics.com

# Fiber Optic Receiver

OPF500 Series



## Mechanical Outline—OPF505



General Note  
TT Electronics reserves the right to make changes in product specification without notice or liability. All information is subject to TT Electronics' own data and is considered accurate at time of going to print.

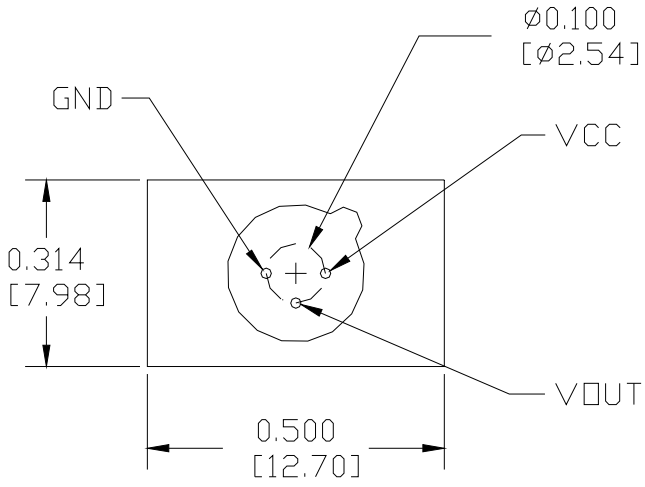
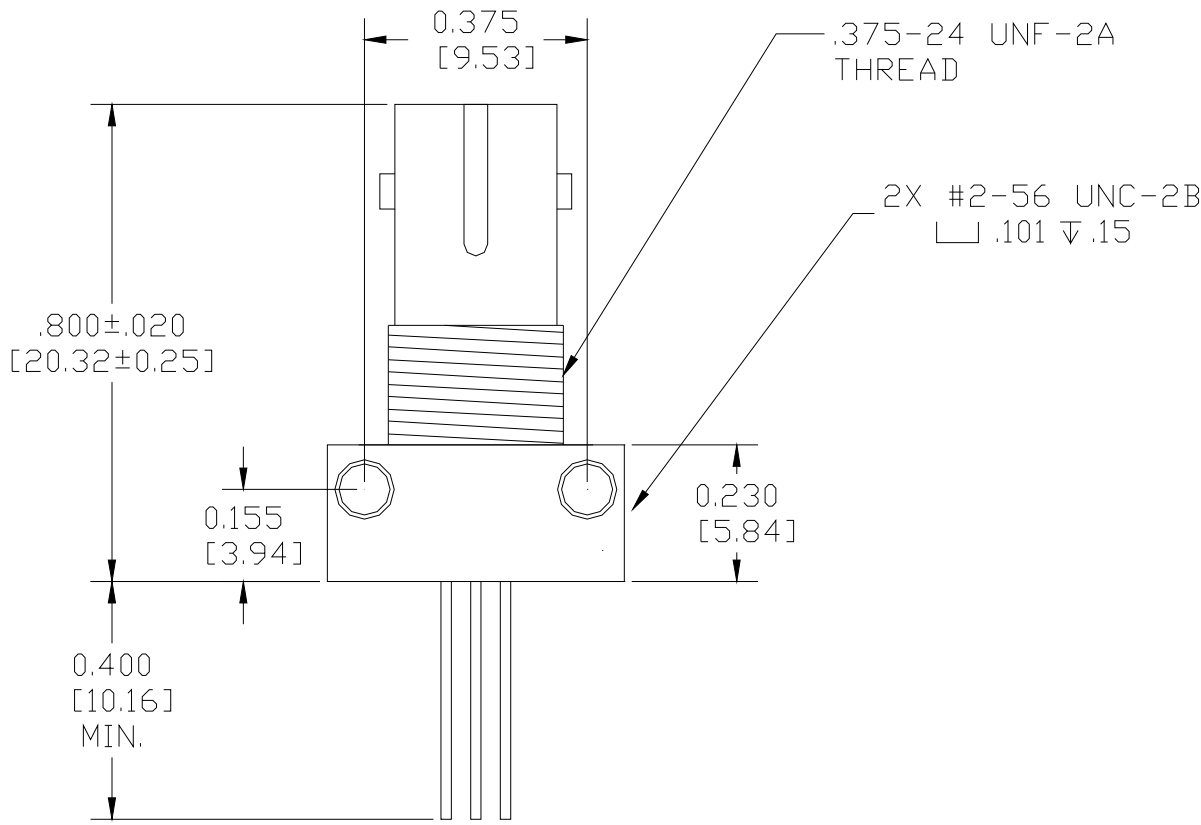
OPTEK Technology, Inc.  
1645 Wallace Drive, Carrollton, TX 75006 | Ph: +1 972 323 2200  
www.optekinc.com | www.ttelectronics.com

# Fiber Optic Receiver

OPF500 Series



## Mechanical Outline—OPF507, OPF512



General Note  
TT Electronics reserves the right to make changes in product specification without notice or liability. All information is subject to TT Electronics' own data and is considered accurate at time of going to print.

OPTEK Technology, Inc.  
1645 Wallace Drive, Carrollton, TX 75006 | Ph: +1 972 323 2200  
www.optekinc.com | www.ttelectronics.com

### Electrical Specifications

Absolute Maximum Ratings ( $T_A = 25^\circ\text{C}$ unless otherwise noted)	
Storage Temperature	65° C to +100° C
Operating Temperature	-40° C to +85° C
Lead Soldering Temperature (for 10 seconds)	260° C
Supply Voltage	18 V
Sinking Current	16 mA
Power Dissipation	200 mW
Open Collector Power Distribution	40mW
Voltage at Output	30 V

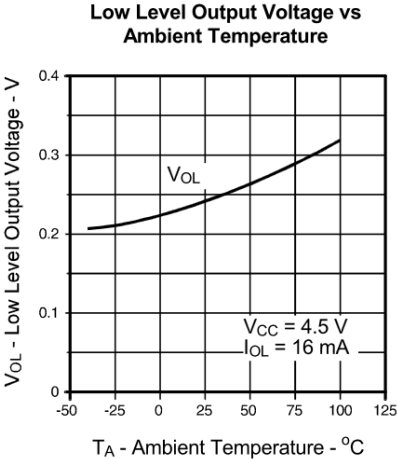
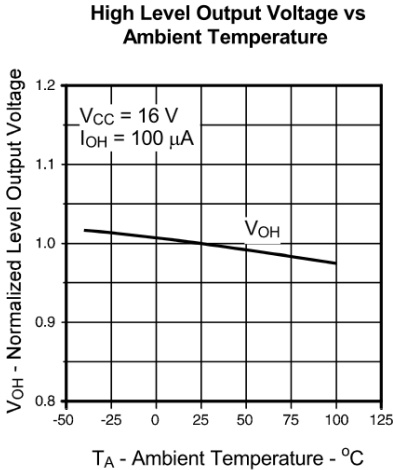
Electrical Characteristics ( $T_A = 25^\circ\text{C}$ unless otherwise noted)						
SYMBOL	PARAMETER	MIN	TYP	MAX	UNITS	TEST CONDITIONS
$V_{CC}$	Supply Voltage	4.5		16.0	V	
$V_{OH}$	High Level Output Voltage	$V_{CC} - 1.5$			V	Buffer: $P_{IN} > 2.0\ \mu\text{W}$ Inverter: $P_{IN} < 0.1\ \mu\text{W}$
$V_{OL}$	Low Level Output Voltage			0.4	V	Buffer: $P_{IN} < 0.1\ \mu\text{W}$ Inverter: $P_{IN} > 2.0\ \mu\text{W}$
$I_{CC}$	Supply Current		5.0	12.0	mA	No output load
$P_{IN}$	Input Sensitivity			2.0	$\mu\text{W}$	$\lambda_p = 850\ \text{nm}$
$t_r$	Rise Time			300 100	ns	Buffer Inverter $P_{IN} = 1.5\ \mu\text{W}$ (peak) $V_{CC} = 5.0\ \text{V}$
$t_f$	Fall Time			300 100	ns	Buffer Buffer
BW	Bandwidth	100			kHz	$P_{IN} > 2.0\ \mu\text{W}$ , 50% duty cycle
PWD	Pulse Width Distortion		$\pm 10$		%	$1\ \mu\text{W} < P_{IN} < 100\ \mu\text{W}$ , $f = 20\ \text{kHz}$ 50% duty cycle

# Fiber Optic Receiver

OPF500 Series



## Performance



General Note  
TT Electronics reserves the right to make changes in product specification without notice or liability. All information is subject to TT Electronics' own data and is considered accurate at time of going to print.

OPTEK Technology, Inc.  
1645 Wallace Drive, Carrollton, TX 75006 | Ph: +1 972 323 2200  
www.optekinc.com | www.ttelectronics.com