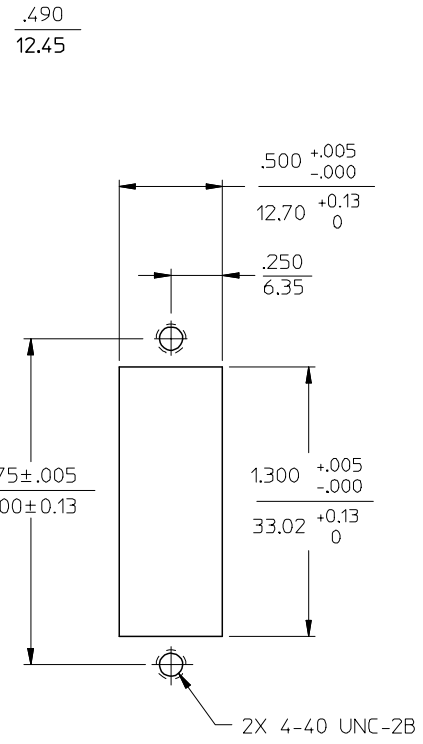
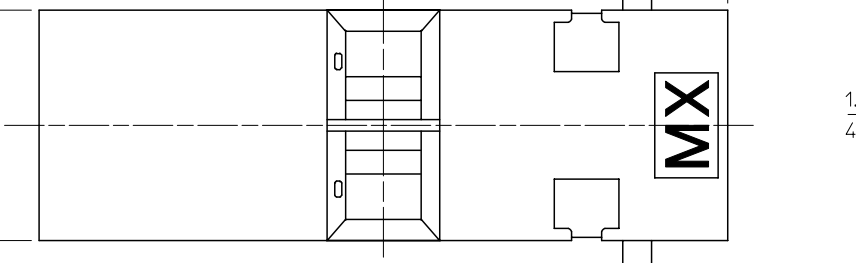
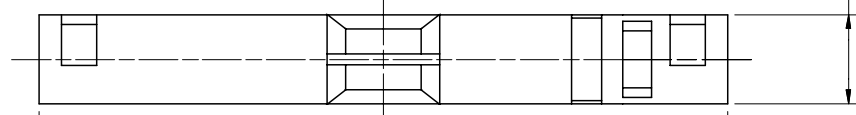
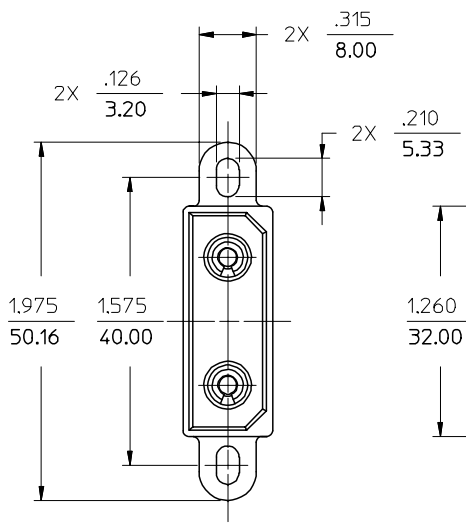
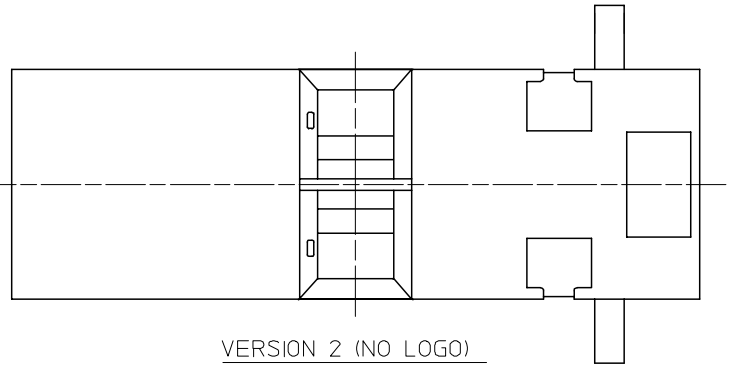


P/N OF ADAPTER	MATERIAL OF SLEEVE	VERSION
106140-2300	CERAMIC	1
106142-2300	PHOS. BRONZE	
106197-0700	CERAMIC	2



VERSION 1 (LOGO)

RECOMMENDED MOUNTING PATTERN



VERSION 2 (NO LOGO)

NOTES :
1. ALL DIMENSIONS ARE FOR REFERENCE ONLY.

ENTER DESCRIPTION EC NO: MF2006-0767 DRW: DBAL TRUKONI S2006/05/22 CHKD: 2006/05/22 APPR: IGUMIN 2006/05/24	QUALITY SYMBOLS 	GENERAL TOLERANCES (UNLESS SPECIFIED)		DIMENSION STYLE IN/MM	SCALE 1.5:1	DESIGN UNITS INCH	THIRD ANGLE PROJECTION
		4 PLACES ± --- ± ---	DRAWN BY PGIBL IN	DATE 2005/10/26	TITLE ESCON-ESCON ADAPTER		
		3 PLACES ± --- ± ---	CHECKED BY	DATE	MOLEX INCORPORATED		
		2 PLACES ± --- ± ---	APPROVED BY		DATE	DOCUMENT NO. SD-1061YY-YY00	SHEET NO. 1 OF 01
1 PLACE ± --- ± ---	ANGULAR ±1/2°		MATERIAL NO. SEE TABLE		THIS DRAWING CONTAINS INFORMATION THAT IS PROPRIETARY TO MOLEX INCORPORATED AND SHOULD NOT BE USED WITHOUT WRITTEN PERMISSION		
DRAFT WHERE APPLICABLE MUST REMAIN WITHIN DIMENSIONS							